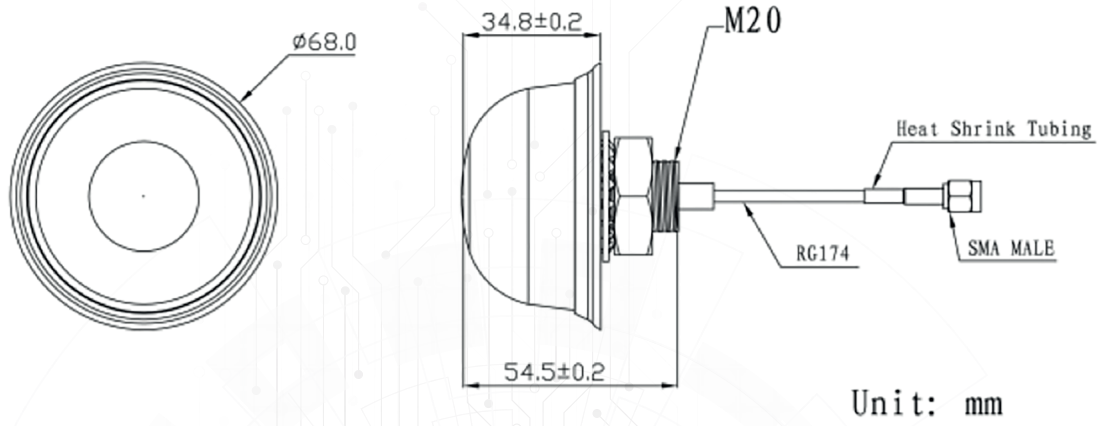




## **A01-2S610**

External GPS Antenna





Item	Specifications
Center Frequency	1575.42±1MHz
Band Width	CF±5MHz
Polarization	RHCP
Gain	5dBic (Zenith)
V.S.W.R	<1.5
Impedance	50Ω
Axial Ratio	3dB (max)
Dimension	25*25*4mm
Gain	28±2dB
Noise Figure	<1.5
Filter Insertion Loss	<3dB
Ex-band Attenuation	12dB@CF+50MHz/16dB@CF-50MHz
Supply Voltage	2.2~5V DC
Current Consumption	5~15mA
V.S.W.R	<2.0
Cable	RG174 or others
Connector	SMA/MCX/FAKRA or others
Radome Material	ABS
Mounting Method	Screw
Operating Temperature	-40°C~+85°C
Relative Humidity	Up to 95%
Ingress Protection	IP67 (exclude cable outlet)
Vibration	10 to 55Hz with 1.5mm amplitude 2hours
Environmentally Friendly	ROHS Compliant