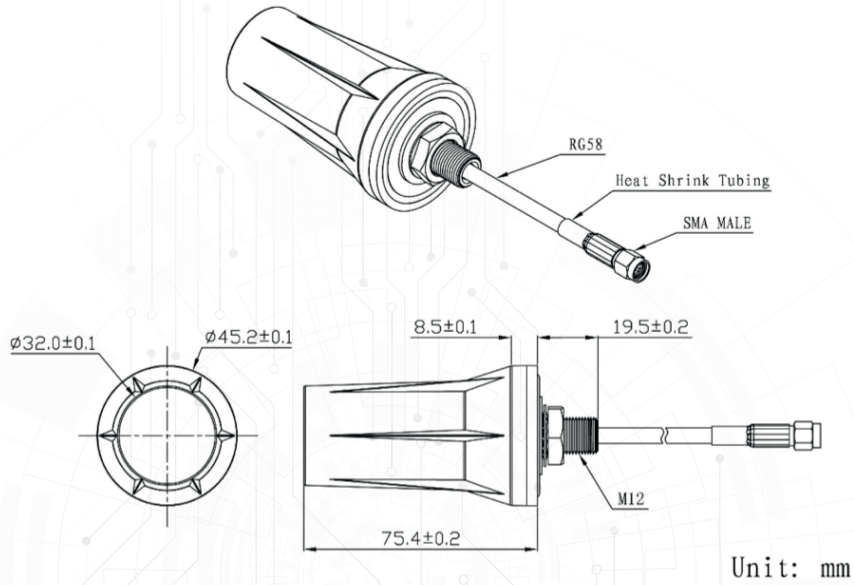




G23-2S040

4G GSM Antenna 824~960/1710~2655MHz





Item

Specifications

Frequency Range

824-960/1710~2655MHz

Polarization

Linear

Gain

2dBi (Zenith)

V.S.W.R (min)

<2.0

Impedance

50Ω

Cable

RG58 or others

Connector

SMA or others

Radome Material

ABS

Mounting Method

Screw

Operating Temperature

-40°C~+85°C

Relative Humidity

Up to 95%

Vibration

10 to 55Hz with 1.5mm amplitude 2hours

Environmentally Friendly

ROHS Compliant