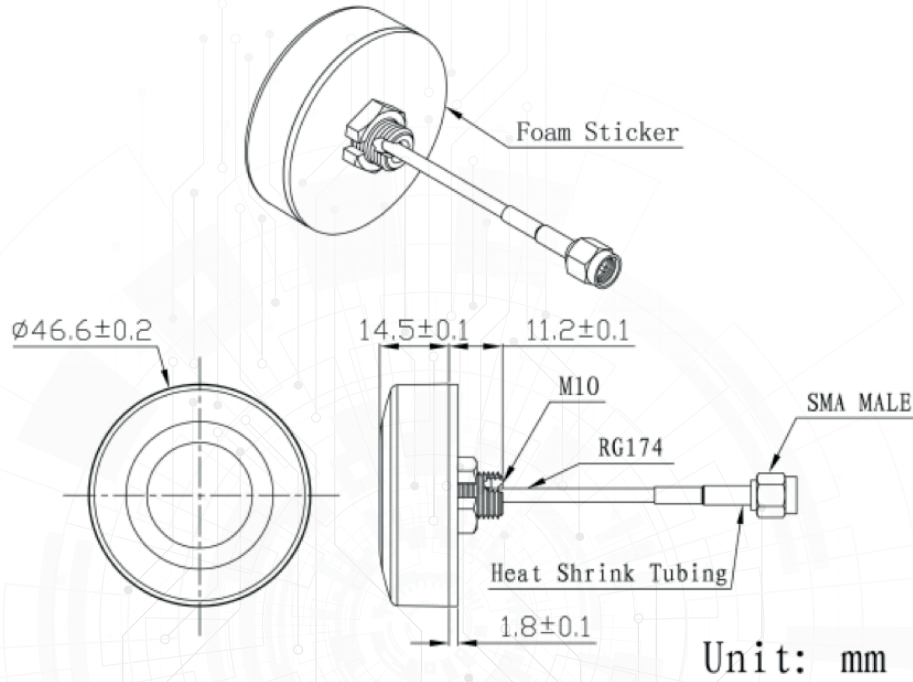




G03-2S010

GSM Antenna 824~960/1710~2170MHz





Item	Specifications
Frequency Range	824-960/1710~2170MHz
Polarization	Linear
Gain	2.0dBi (Zenith)
V.S.W.R	<2.5
Impedance	50Ω
Cable	RG174
Connector	SMA or others
Radome Material	ABS
Mounting Method	Screw
Operating Temperature	-40°C~+85°C
Relative Humidity	Up to 95%
Ingress Protection	IP65 ~ IP67 (exclude cable outlet)
Vibration	10 to 55Hz with 1.5mm amplitude 2hours
Environmentally Friendly	ROHS Compliant