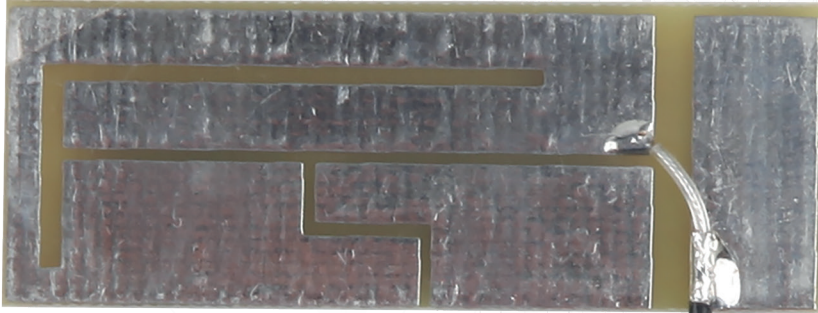
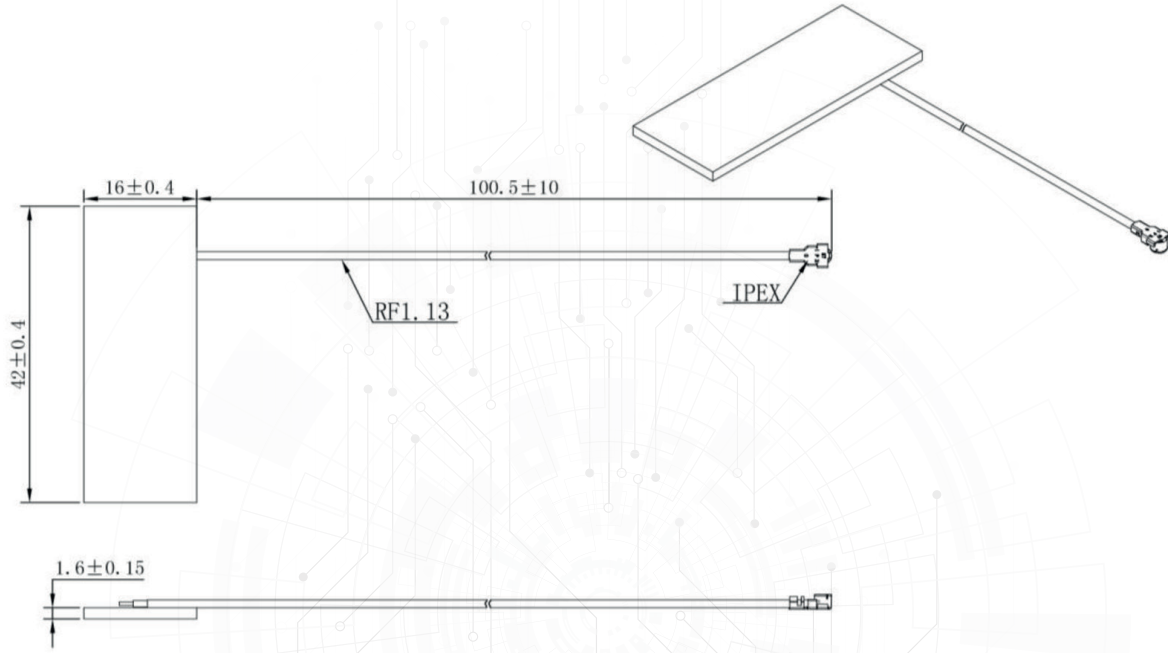




## G26-2S110

GSM Antenna 824~960/1710~2170MHz





Unit:mm

Item	Specifications
Frequency Range	824~960/1710~2170MHz
Polarization	Linear
Gain	0dBi
V.S.W.R (min)	<2.5
Impedance	50Ω
PCB Dimension	42.3*16.5*1.6mm
Cable	RF1.13/RF1.37
Connector	IPEX/MCF
Mounting Method	Adhesive or Embedded
Operating Temperature	-40°C~+85°C
Relative Humidity	Up to 95%
Vibration	10 to 55Hz with 1.5mm amplitude 2hours
Environmentally Friendly	ROHS Compliant