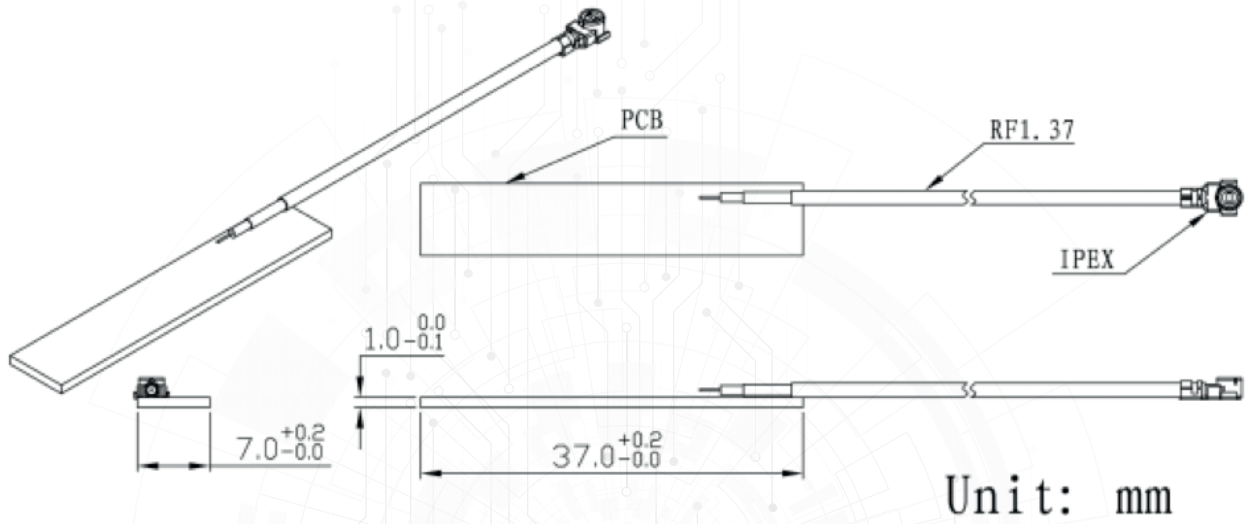




## G86-2S010

GSM Antenna 824~960 1710~2170MHz





Item	Specifications
Frequency Range	824~960 1710~2170MHz
Polarization	Linear
Gain	0dBi
V.S.W.R	<2.0
Impedance	50Ω
PCB Dimension	37*7*1mm
Cable	RF1.13/RF1.37 or others
Connector	IPEX
Mounting Method	Adhesive
Operating Temperature	-40°C~+85°C
Vibration	10 to 55Hz with 1.5mm amplitude 2hours
Environmentally Friendly	ROHS Compliant