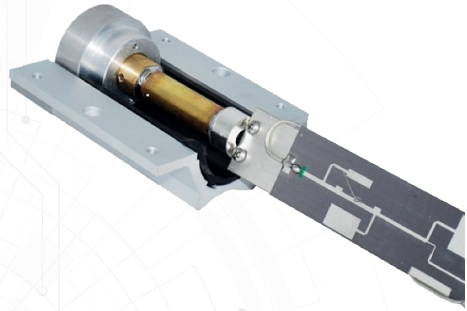
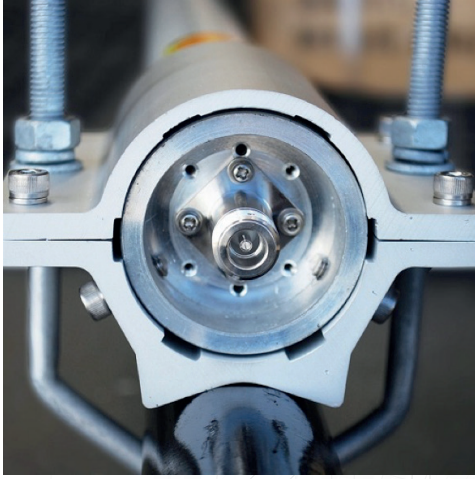




## OD-450

430-450 MHz Omni-Directional Antenna





Item	Specifications
Frequency Range	430-450 MHz
Band Width	20MHz
Half-Power Beam Width	H:360 V:30
Gain	6 dBi
V.S.W.R (min)	<1.5
Polarizasyon	Vertical
Impedance	50Ω
Maximum input power	100W
Lightning Protection	DC Ground
Connector	N Female or SMA Male
Operating Temperature	-40°C~+60°C
Dimensions (mm)	20x1100mm
Rated Wind Velocity (m/s)	60
Mounting hardware (mm)	35-50 mm
Antenna Weight	0.46 kg