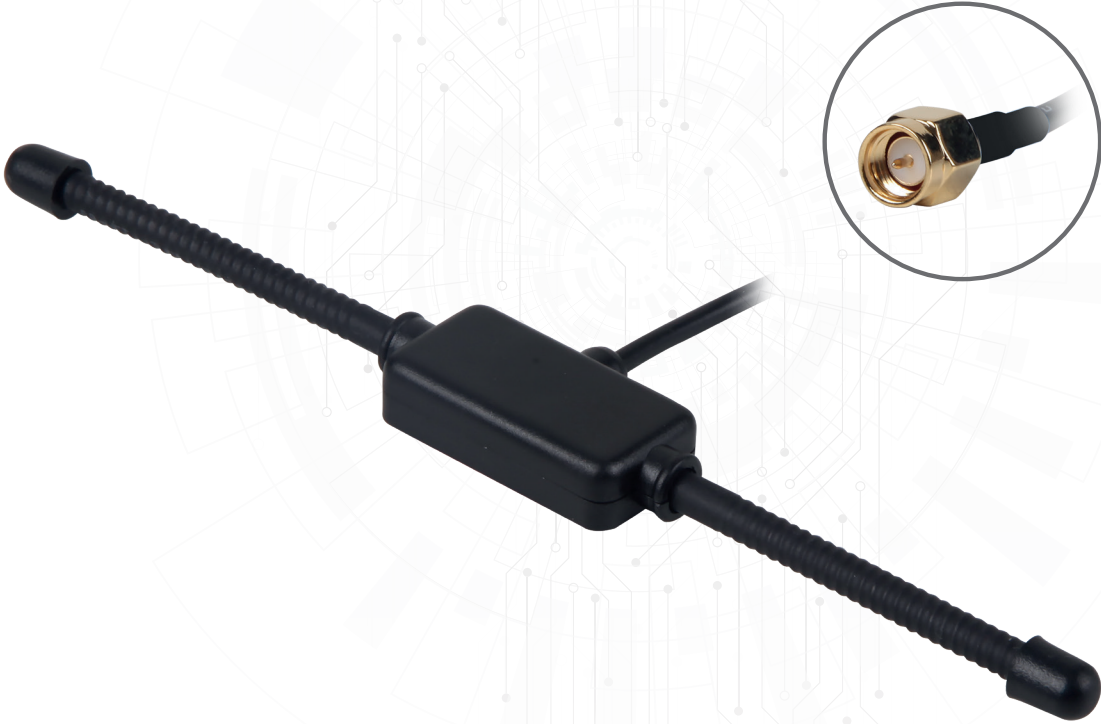
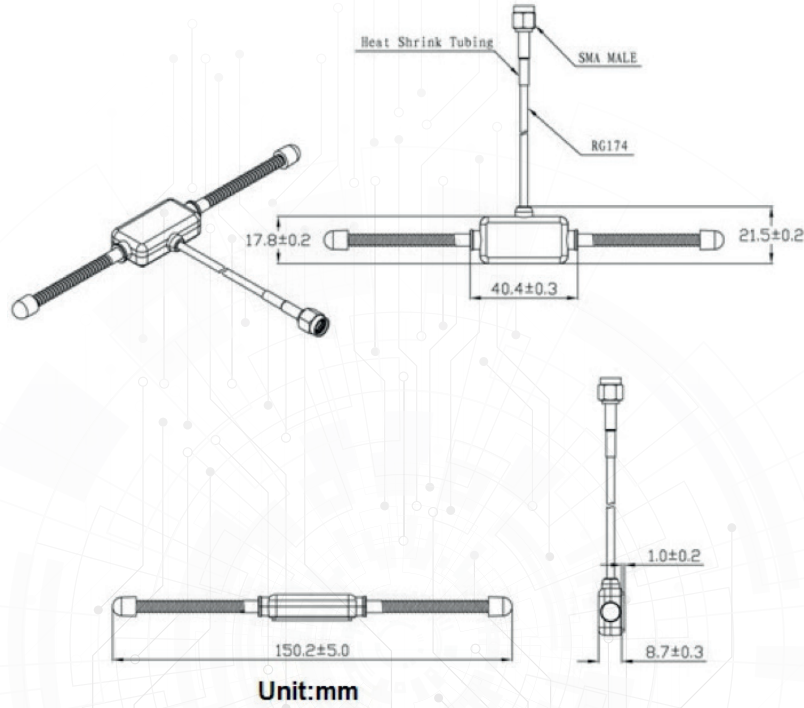




## **D24-2S810**

433 MHz Antenna





Item	Specifications
Center Frequency	433MHz
Band Width	CF±10MHz
Polarization	Linear
Gain	3dBi
V.S.W.R	<2.0
Impedance	50Ω
Cable	3m / RG174
Connector	SMA/Male
Radome Material	ABS
Mounting Method	Adhesive
Operating Temperature	-40°C~+85°C
Relative Humidity	Up to 95%
Vibration	10 to 55Hz with 1.5mm amplitude 2hours
Environmentally Friendly	ROHS Compliant