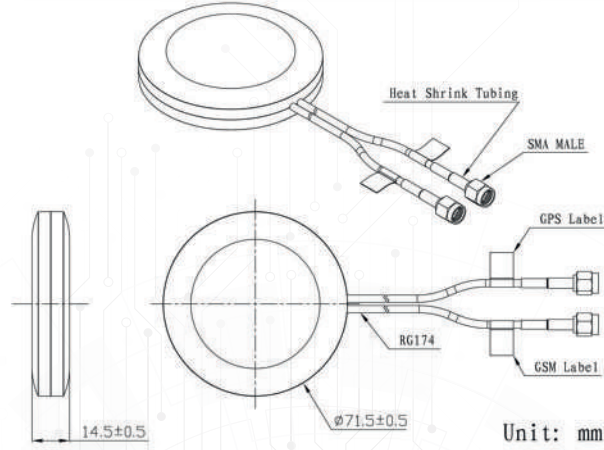




B11-2S010

GPS+GSM Combination Antenna

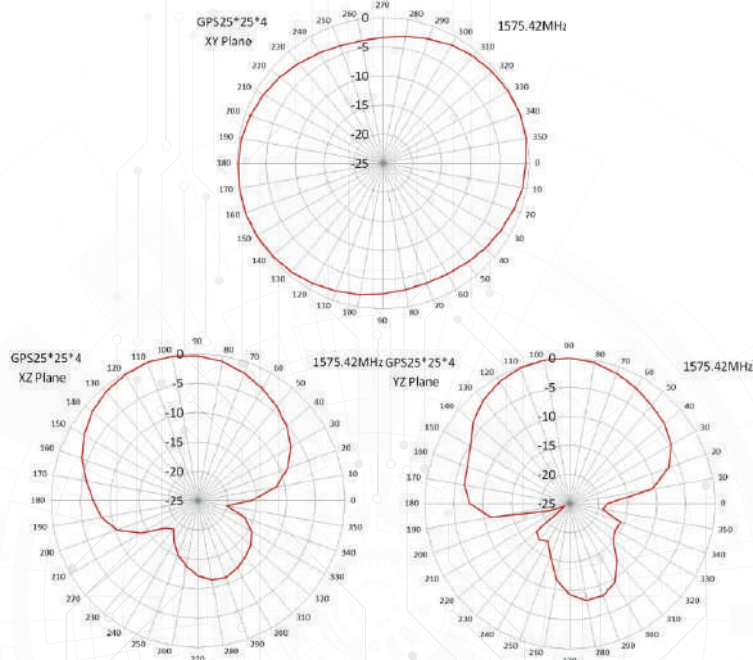




Item	Specifications
Center Frequency	1575.42±3MHz
Band Width	CF±5MHz
Polarization	RHCP
Gain	2dBic (Zenith)
V.S.W.R	<1.5
Impedance	50Ω
Axial Ratio	3dB (max)
Gain	28±2dB
Noise Figure	<2dB
V.S.W.R	<2.0
Supply Voltage	2.2~5V DC
Current Consumption	5~15mA
Frequency Range	824~960MHz/1710~2170MHz
V.S.W.R (min)	<2.5
Polarization	Linear
Gain	2dBi
Impedance	50Ω
Cable	RG174
Connector	SMA/MCX/FAKRA or others
Radome Material	ABS
Mounting Method	Magnet
Operating Temperature	-40° ~+85°
Relative Humidity	Up to 95%
Vibration	10 to 55Hz with 1.5mm amplitude 2hours
Environmentally Friendly	ROHS Compliant



GPS Antenna



GSM Antenna

