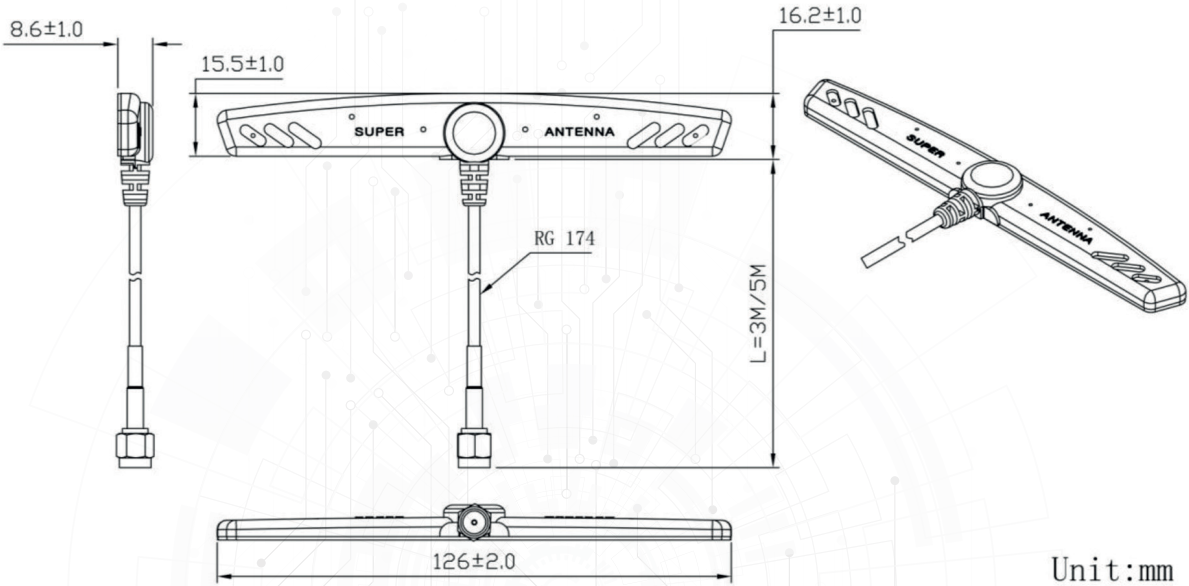


G08-2S110-868 RF Antenna 868MHz





Item

Specifications

Frequency Range

868 MHz

Polarization

Linear

Gain

2.5dBi

V.S.W.R

<2.1

Impedance

50Ω

PCB Dimension

115*9*0.8mm

Cable

RG174

Connector

SMA or others

Radome Material

EVA

Mounting Method

Adhesive

Operating Temperature

-40°C~+85°C

Relative Humidity

Up to 95%

Ingress Protection

IP67

Vibration

10 to 55Hz with 1.5mm amplitude 2hours

Environmentally Friendly

ROHS Compliant